



BURLODGE

U.S.A.

United Kingdom

Italy

Canada

Belgium

Export

First Choice Room Service...

a new answer for

Client

Focused

Dining







FIRST CHOICE ROOM SERVICE...

the new answer from Burlodge



- Room Service is a system that delivers what the patient wants to eat, when they want it
- The level of service exceeds patient expectations and results in high patient satisfaction rates
- The Nutrition and Food Service department contributes to a positive Hospital image within the community
- Nursing involvement with meal service is minimized, and disruption to other patient schedules and treatments is avoided, since the mealtime is flexible

Why the Burlodge First Choice Room Service Cart?

- Active Temperature Maintenance results in correct, safe, hot and cold food temperatures at the point of service
- The cart is attractive, and easy to maneuver
- Hot items are stored in the heated side of the cart, while cold items are kept cold on the cold side of the same tray
- The expeditor can add to the trays up until the cart is dispatched
- Larger tray (22 ⁵/₈" x 12 ³/₄") will accommodate up to a 10 inch plate on both sides, for an upscale food presentation
- Traymats can be used on the tray to enhance the presentation
- Tray Spacing is 6 inches between trays to allow for specialty dishware and taller glasses
- Guard rail on top to allow for condiment baskets and hot beverages to be placed on top during service
- Optional side shelf for final tray preparations and documentation
- Carts can be plugged in for temperature maintenance during meal delivery to patient units where the delivery time is longer, e.g. protective isolation areas
- Any type of dishware can be used- china, high heat plastics or single use disposables
- The cart is easy to clean; the divider wall and tray supports lift out for deep cleaning
- First Choice Room Service Cart can be configured to support continental breakfast service

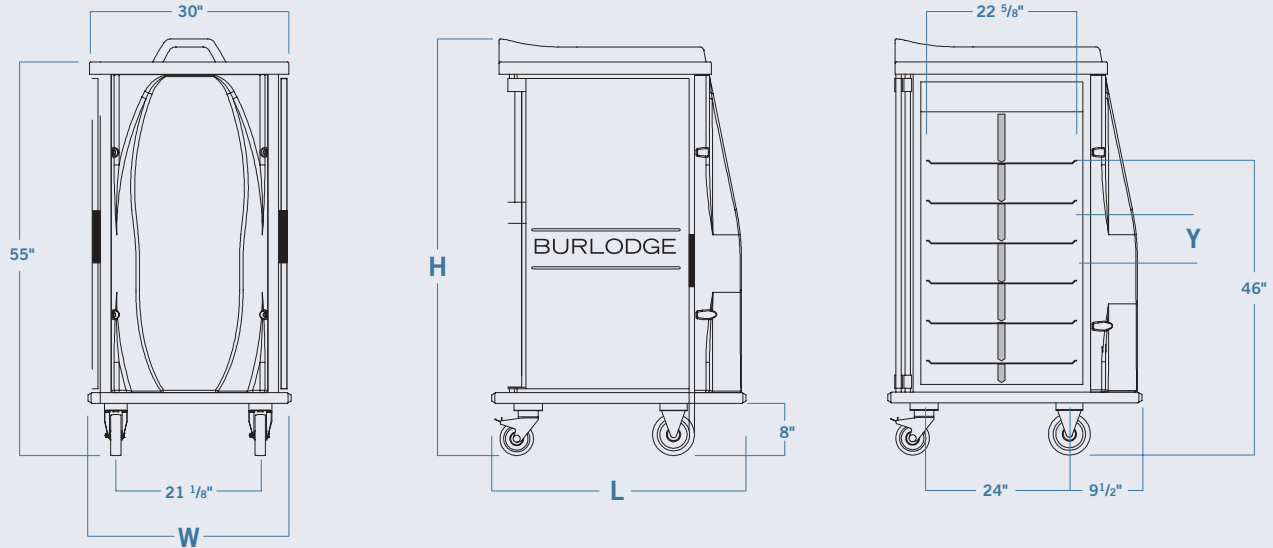


On One Tray – Two Different Temperatures Single handling makes you Ready To Serve with style and ease.



Inside the First Choice Room Service Cart there is a divider wall that completely separates the hot from the cold side of the tray. To meet your patients' expectations, you need to have hot holding and cold holding of foods – the First Choice Room Service Cart delivers. The larger tray size allows for an enhanced presentation, with specialized dishware, and an uncrowded look.

First Choice Room Service



First Choice Room Service

REFERENCE	DESCRIPTION	Tray Spacing Y inches	ELECTRICAL SPECIFICATIONS				DIMENSIONS			
			Total		Refrigeration only		H inches	L inches	W inches	
			AMPS	MAX kW	AMPS	kW				
SOS.500	12	First Choice with integrated single refrigeration - single phase - 208V - 60 Hz - 2P+G	6"	16	3,1	5,0	1,0	58 5/8"	38 3/8"	30 5/8"
SOS.500	12	First Choice with integrated single refrigeration - three phase - 208V - 60 Hz - 3P+G	6"	20	6,2	5,0	1,0	58 5/8"	38 3/8"	30 5/8"

Trays

REFERENCE	DESCRIPTION	DIMENSIONS	
		L x W inches	
S00.000	01 First Choice Single Tray Beige	22 5/8" x 12 3/4"	
	02 First Choice Single Tray Pastel Green		
	03 First Choice Single Tray Pastel Orange		

Accessories

REFERENCE	DESCRIPTION
SOA.300	Top barrier
SOA.320	Lateral shelf
SOA.340	Destination tag holder
SOA.360	6 wheels kit
S00.380	Tow bar
SOA.400	Locking device with key



BURLODGE™



BURLODGE USA, Inc.
 3760 Industrial Drive
 Winston-Salem, NC 27115
 1-877-REThERM
 info@burlodgeusa.com
 www.burlodgeusa.com

REGIONAL OFFICES

DALLAS
 dallas@burlodgeusa.com
 Phone: 214-697-6824
 Fax: 972-304-3318

PHOENIX
 phoenix@burlodgeusa.com
 Phone: 602-549-4804
 Fax: 413-473-6726

PHILADELPHIA
 philadelphia@burlodgeusa.com
 Phone: 484-433-9633
 Fax: 610-666-9519

NASHVILLE
 nashville@burlodgeusa.com
 Phone: 615-309-7053
 Fax: 615-309-8370

OTHER DIVISIONS

BURLODGE BELUX
BURLODGE CANADA
BURLODGE SRL ITALY
BURLODGE LTD UK
BURLODGE EXPORT